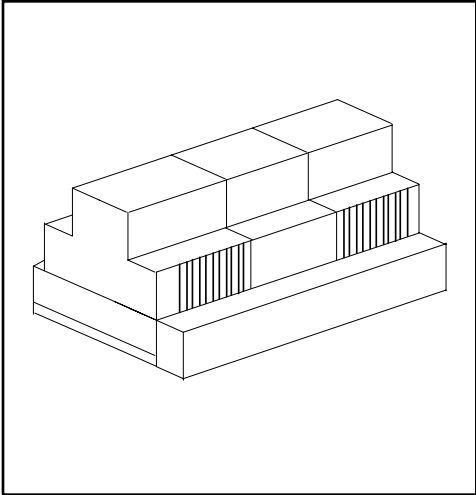


Engineering Data

DIGIBUS POWER SUPPLIES



- 6941 Main Power Supply for DigiBus Audio System**
Supplies power for up to 200 DigiBus Handsets.
- 6942 Auxiliary Power Supply**
Supplies power to up to 200 additional handsets.
- 6948 Main Power Supply for DigiBus Video Systems**
Provides power for up to 60 Handsets/Video Monitors as well as monitor power for entire system
- 6947 DigiBus Video Booster Supply**
Video monitor power supply booster - Audio call signal booster.

General Information

- Self Diagnostics Circuits with LED readout of system status
- Quick disconnect Terminal Blocks
- Electronic Short Circuit/Overload Protection
- Easy Surface Wall Installation
- Plug in PC Cards for easy maintenance
- Fuse protected control voltage outputs
- Transformer overload protection
- Small footprint for easy system layout

Specifications

Power Requirements:	120 VAC 60VA
Outputs:	
6941,6942:	13.5VDC 1.5A(up to 200 Handsets) 15VAC .4A for Directory Backlight 15VAV 1A for Door Release
6948:	13.5VDC 1.5A(up to 60 Apts) 18VDC .8A Video Monitor power for system 15VAC .4A for Directory Backlight 15VAV 1A for Door Release
6947:	18VDC .8A Video Monitor power for system
LED Status:	Lock voltage, Lock Status, Aux Relay 1, Aux Relay 2, Audio, System Power, Monitor Power
Dimensions:	
6941-6942-6947:	8.25" x 3.75" x 2.75"
6948:	8.25" x 3.75" x 3.5"
Weight:	3.5 lbs

DIGIBUS POWER SUPPLIES

6941-6942-6947-6948

Architects and Engineers Specifications

6941: The main supply shall provide power for up to 200 DigiBus audio stations, auxiliary AC voltage for directory backlighting and AC voltage for electric door release. The power supply shall have built in diagnostic LEDs to allow for easy determination of system status.

6942: The auxiliary power supply shall provide additional power for up to an additional 200 apartment stations as well as auxiliary AC voltage for directory backlighting and AC voltage for electric door release.

6948: The main video supply shall provide power for up to 60 apartment stations, power for video monitor turnon as well as auxiliary AC voltage for directory backlighting and AC voltage for electric door release.

6947: The DigiBus Video booster supply boosted voltage for video monitor operation and act as a call signal repeater for installations with long wire runs and/or voltage drops.

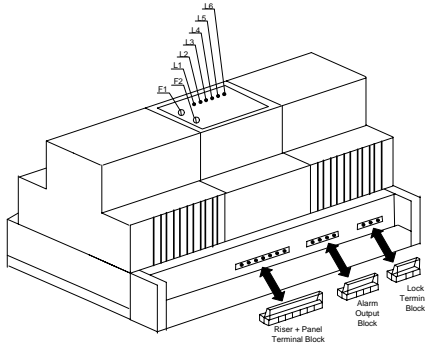
Lee Dan Communications, Inc. www.leedan.com Toll-Free: 800-231-1414

DIGIBUS

REV 1.0

Form ED 6941

6941 - 6942 POWER SUPPLY



LEDS

- L1 Lock Voltage
- L2 Lock Activation
- L3 Aux Function 1
- L4 Aux Function 2
- L5 Audio (6941 only)
- L6 Power

FUSES

- F1 Main Fuse
- F2 15VAC lock fuse

Terminals

Panel/Riser Terminals

- CH Tone enable from panel/switch board
- S Lock control
- F1 Aux 1 function in
- F2 Aux 2 function in
- 3 Talk line
- 4 Ground
- 5 +13.5 VDC

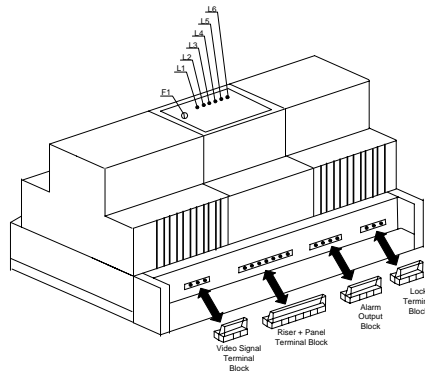
Alarm Output Terminals

- 4 Gnd
- R1 Aux 1 output
- 4 Gnd
- R2 Aux 2 output

Lock Output Terminals

- S1 Lock output (switched to 0)
- 0 Common
- 15 15 VAC

6948 POWER SUPPLY



LEDS

- L1 Monitor Supply
- L2 Lock Activation
- L3 Aux Function 1
- L4 Aux Function 2
- L5 Audio (6941 only)
- L6 Digital Supply

FUSES

- F1 Main Fuse

Terminals

Panel/Riser Terminals

- +I Monitor turn off
- CH Tone enable from panel/switch board
- S Lock control
- F1 Aux 1 function in
- F2 Aux 2 function in
- 3 Talk line
- 4 Ground
- 5 +13.5 VDC
- + +18 VDC

Alarm Output Terminals

- 4 Gnd
- R1 Aux 1 output
- 4 Gnd
- R2 Aux 2 output

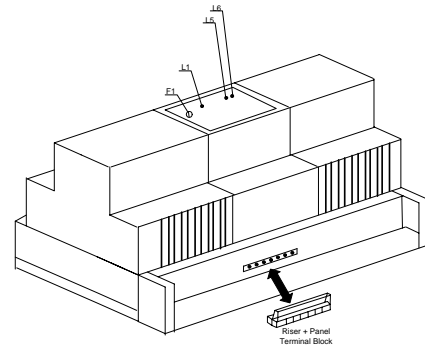
Lock Output Terminals

- S1 Lock output (switched to 0)
- 0 Common
- 15 15 VAC

Video Terminals

- V1-M1 Video input
- V2-M2 Video output

6947 POWER SUPPLY



LEDS

- L5 Audio (6941 only)
- L6 Digital Supply

FUSES

- F1 Main Fuse

Terminals

Panel/Riser Terminals

- +I Monitor turn off
- CH Tone enable from panel/switchboard
- 3 Talk line
- 4 Ground Intercom
- + +18 VDC
- Ground Monitor



since 1931

AUTHORIZED DISTRIBUTOR

LEE DAN COMMUNICATIONS, INC.1

155 ADAMS AVE
HAUPPAUGE, NY 11788 USA

Phone: 800-231-1414 - Fax: 1-631-231-1498

EMAIL: info@leedan.com URL: www.leedan.com

FORM ED6941

Printed in USA

