



AdaptaHorn® Single Projector Vibrating Horn

Indoor Applications

872 & 873 Series

FEATURES

- > PLC compatible models
- > Corrosion resistant finish
- > Volume adjustable
- > Completely assembled

AGENCY APPROVALS

- > UL Listed
- > FM Approved (872 Series)

SPECIFICATIONS

- > Operating range: -20% to +10% of nominal voltage
- > Heavy duty die-cast housing

872 AC Series

- > Adjustable output: 78 to 103 dB
- > 400 hour rating at 50% duty cycle

873 DC Series

- > Adjustable output: 78 to 101 dB
- > 200 hour rating

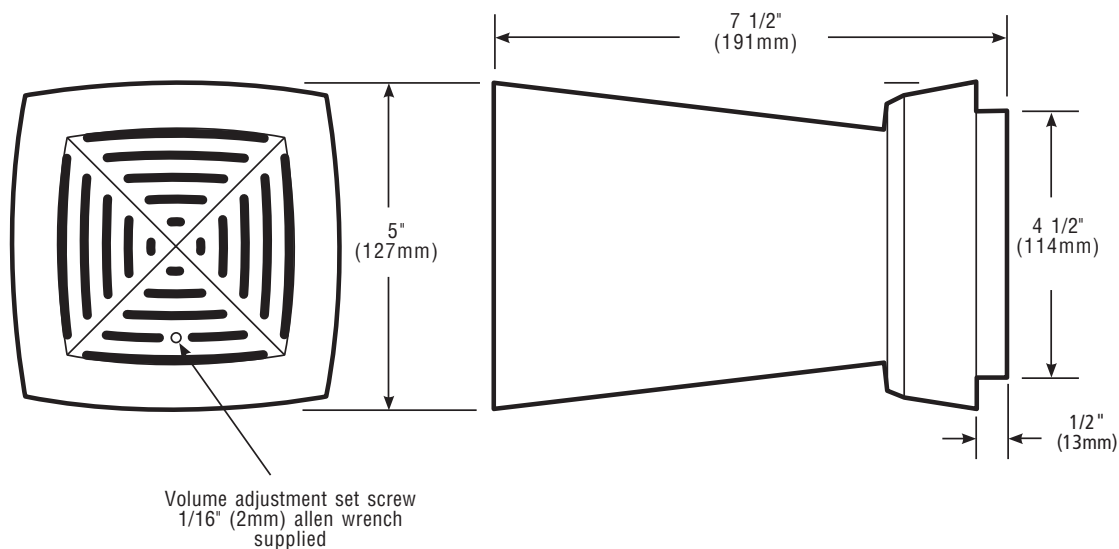
www.leedan.com info@leedan.com Toll-Free: 800-231-1414

The Edwards 872 AC & 873 DC Series are low-current, high decibel single projector vibrating horn for heavy-duty use. The single projector is designed to channel sound in one direction without decibel loss. Supplied complete with Adaptable® for easy installation.

Supplied Adaptable allows quick plug-in connection. Horn simply plugs into receptacle on mounting plate. Also mounts on any single gang, 3 1/4" (83mm), 3 1/2" (89mm), 4" (102mm) octagon, or 4" (102mm) square box.

Used in industrial, commercial, and institutional applications for timing, paging, and alarm signaling.

TECHNICAL INFORMATION



| Cat. No. | Volts | Amps | VA | DC coil Res. (Ohms) | dB at 10 Ft. |
|----------------|---------|------|------|---------------------|--------------|
| 872-G5 | 24V AC | .63 | 15.1 | 5.2 | 103 |
| 872-N5† | 120V AC | .13 | 15.6 | 150 | |
| 872-R5 | 240V AC | .07 | 16.8 | 580 | |
| 873-G1 | 24V DC | .16 | 3.8 | 24 | 101 |
| 873-K1 | 48V DC | .07 | 3.4 | 96 | |
| 873-P1 | 125V DC | .025 | 3.1 | 600 | |
| 873-S1 | 250V DC | .014 | 3.5 | 2640 | |

† Diode polarized version available in red, order 882D-N5.

PLC COMPATIBILITY - SIGNAL INPUT LOAD CHARACTERISTICS*

| Cat. No. | Operating voltage Volts | Max. off state leakage current mA | Continuous on current mA | Surge (inrush/duration) Amps/milliseconds |
|---------------|-------------------------|-----------------------------------|--------------------------|---|
| 872-N5 | 120V AC | 25 | 120 | 1.02/.000026 |
| 873-G1 | 24V DC | 25 | 150 | 1.7/.000042 |

*This device is PLC compatible and may be operated by PLCs with output characteristics that match the input load requirements of this signal.

Electromechanical devices can produce transient spikes and should only be used on PLC output cards that have inherent transient spike suppression. Consult the PLC manufacturer prior to connecting 24V DC electromechanical devices to PLCs.

www.leedan.com info@leedan.com Toll-Free: 800-231-1414