

The Millennium Industrial Intercom:

When you need an intercom that's up for just about anything.



Industrial and hazardous locations are no match for the 5570 Intercom and speaker. This heavy-duty, two-way communications device is available in 120/240VAC 50/60Hz and 24VAC/DC, so it can fit into just about any communications infrastructure. Voltage input for the 120/240VAC model is internally switch selectable for easy configuration. The AC line has a 1/2 amp 250-volt type GMC fuse.

The speakers are rated for 30 Watts, 16 Ohms. Their frequency response of 150Hz to 12kHz covers the full range of voice communication.

For even more flexibility, you can also select a balanced or unbalanced line operation and Master or Satellite mode configuration. The unit has transformer isolated audio inputs and a choice of four alert tones. There is also an optional hand-held, noise-cancelling microphone to combat high ambient noise.

With NEMA Type 4X and marine listed enclosures, they are ideal for indoor or outdoor use. They are also listed for Class I Div. 2, Class II Div. 2, and Class III hazardous location areas.

Features

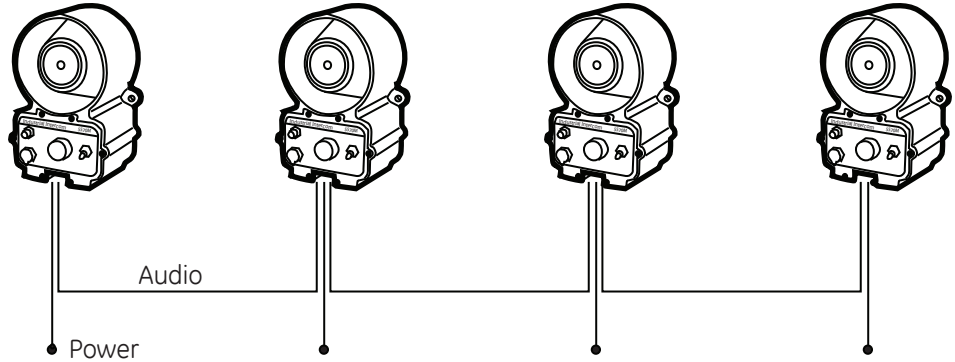
- Division 2 Rated
- NEMA 3R and 4X
- Marine Rated
- 4 Dipswitch-Selectable Call Tones
- 120VAC/240VAC and 24VAC/24VDC Models
- Auxiliary Signal Activation

Applications

- Petrochemical plants
- Offshore oil platforms
- Textile mills
- Airports
- Bottling facilities
- Food processing
- Pulp and paper mills
- Waste water treatment facilities

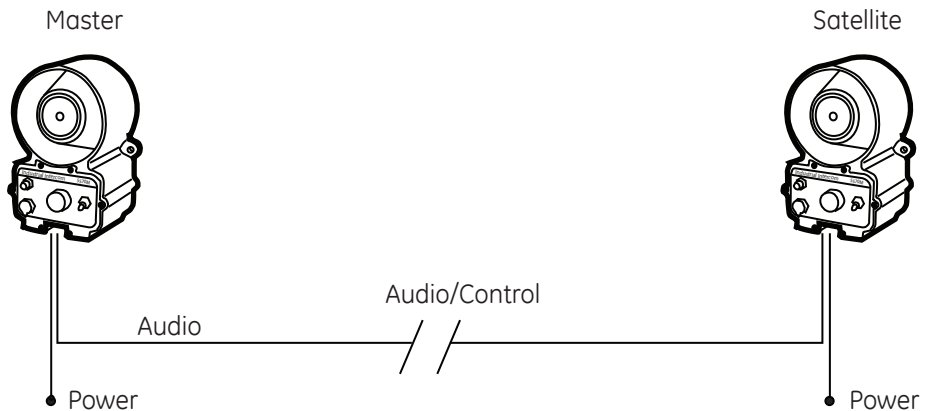
Industrial Intercom Applications

Common Configuration



The common configuration of the intercom system allows a user to call all other users on the system simultaneously using any intercom in the system. In this configuration, all intercoms are in listen mode. Intercoms are ideal for the automotive industry, steel manufacturing, assembly lines, paper machines, and canning plants.

Master/Satellite Configuration



In a master/satellite configuration, the satellite is always in transmit mode until the user changes the master to transmit. Intercoms used in this fashion are ideal for use at entry gates, on fire trucks, at a loading dock or in warehouses.



Part of GE Security

The Edwards 5570M Series is a heavy-duty intercom designed for use in industrial applications. The intercom has two available modes: Master Mode and Satellite Mode. When in Master Mode (most common), toggling the Press-to-Talk switch allows the user to broadcast messages simultaneously to all connected devices. Alternatively, hands-free communication can be achieved by enabling Satellite Mode (Refer to Installation & Operation Manual for details.).

The unit also features dry contacts that allow for connection to an external device. Depressing the alert button will close a normally-open dry contact which can be used to activate an external visual or audible signal appliance.

An optional noise-cancelling microphone, Cat. No. 5570MIC, is available for use in applications where ambient noise is high. For outdoor applications, a weatherproof kit, Cat. No. 5542WPK, is required. The Cat. No. 5570MIC microphone kit includes a mounting plate designed to mount on a 4" backbox.

The Industrial Intercom is ideal for use in pulp and paper mills, oil refineries, petrochemical plants, or water treatment facilities. It is also suitable for airports and shipyards or anywhere that two-way communication is required.

5570M Series Features

- > Available in 120/240V AC 50/60 Hz and 24V AC/DC
- > Outdoor rated
- > 1/2 amp 250 volt type GMC fuse
- > Transformer isolated audio input
- > Choice of one of four selectable alert tones
- > For applications where ambient noise is high, a Cat. No. 5570MIC hand-held noise cancelling microphone kit is available
- > Dry contact for external device activation: rated at 2.0A at 24V AC/DC, P.F. = 1

Agency Approvals

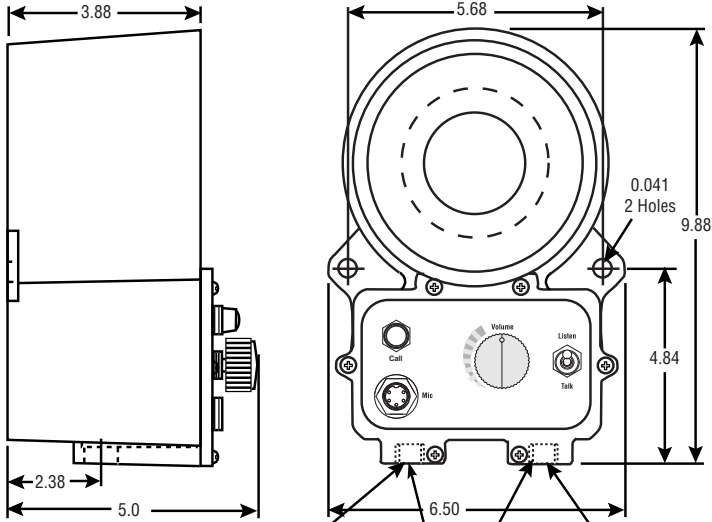
- > UL Listed Type NM (non-monitored) signal appliance
- > cUL Listed
- > UL Listed for Class I, Division 2 Groups A, B, C, and D Hazardous Locations
- > Marine Rated

Industrial Intercom

5570 Series



Industrial Intercom



Power should be obtained from a UL listed, regulated and power limited power source.

1/2"-14 Pipe Thread
2 Places Audio (Class 2)

Cat. No.	Voltage	Typical Current (A)	
		Standby	Tone On
5570M-AQ	24V DC	0.111	0.640
	24V AC 50/60 Hz	0.321	1.290
5570M-NR5	120V AC 50/60 Hz	0.075	0.188
	240V AC 50/60 Hz	0.037	0.073

Amplifier Specifications

- Frequency Response (-6dB)..... 150 Hz to 12 KHz
- Input Impedance..... 15K Ohms
- Max. Output Voltage
- Sine Wave:
- Balanced Output..... 20V_{RMS}
- Unbalanced Output 10V_{RMS}
- Square Wave:
- Balanced Output..... 15V_{RMS}
- Unbalanced Output 7.5V_{RMS}
- Speaker Rating..... 30 Watts
- Speaker Impedance..... 16 Ohms
- Temp. Range (Ord. Location)..... -31 to 150F (-35 to +66C)
- Temp. Range (Haz. Location)..... +41 to 104F (+5 to +40C)
- Fuse Type GMC-1/2 1/2 amp, 250 Volt
- Auxiliary Device Dry Contacts 2A @ 24V AC/DC, P.F. = 1
- Weight..... 11 lb. 5 oz.