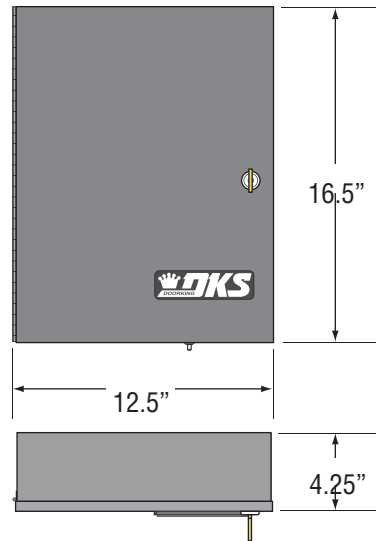
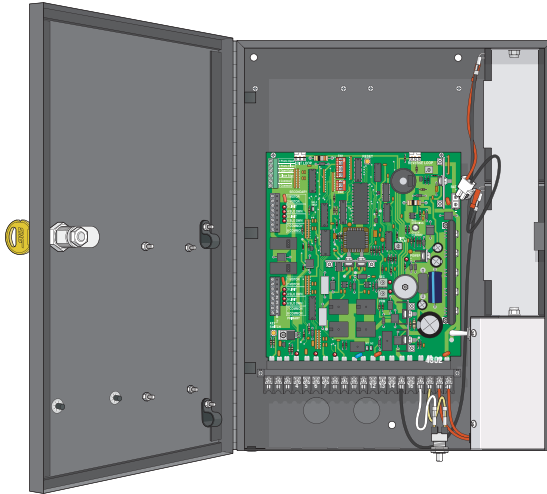


# CONTROL BOXES SPECIFICATIONS

<b>Class of Operation</b>	Models 6002, 6003 and 6400 - UL325 Class I
<b>Type of Gate</b>	Residential Vehicular Swing Gates Only
<b>Voltage / Phase</b>	115 VAC 60 Hz Single Phase Input Power – 24 VDC Operating Power
<b>Back-Up Power</b>	24 VDC battery power during power outages.

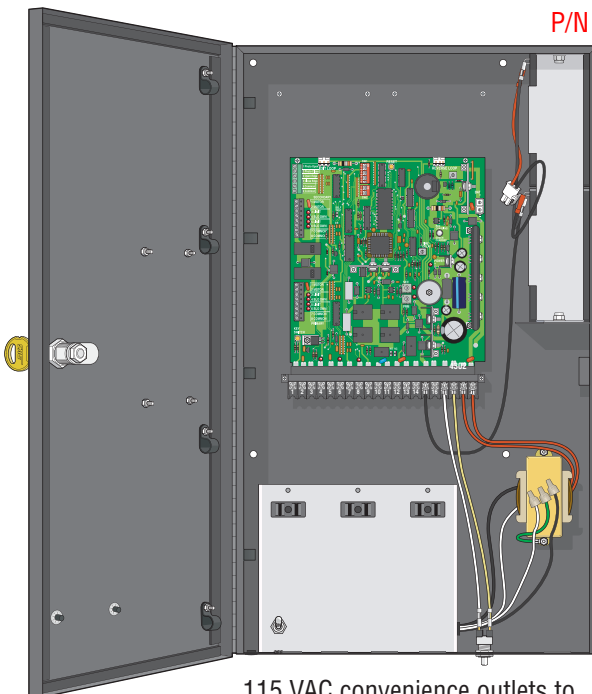
## Standard Control Box

P/N 4302-111

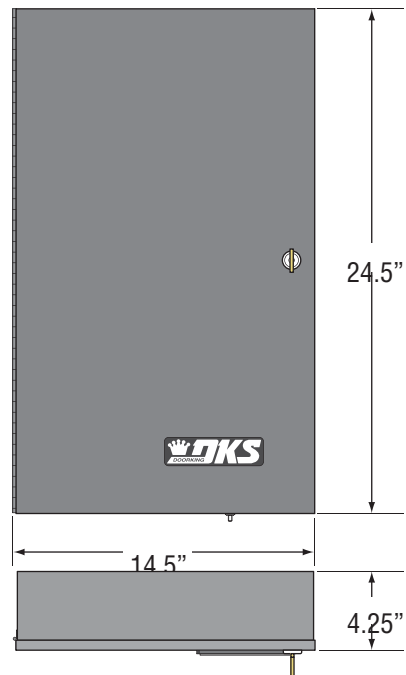


## Deluxe Control Box

P/N 4302-112



115 VAC convenience outlets to power auxiliary power transformers.



DoorKing, Inc. reserves the right to make changes in the products described in this manual without notice and without obligation of DoorKing, Inc. to notify any persons of any such revisions or changes. Additionally, DoorKing, Inc. makes no representations or warranties with respect to this manual. This manual is copyrighted, all rights reserved. No portion of this manual may be copied, reproduced, translated, or reduced to any electronic medium without prior written consent from DoorKing, Inc.