



# MODEL 6300 POST MOUNT KIT

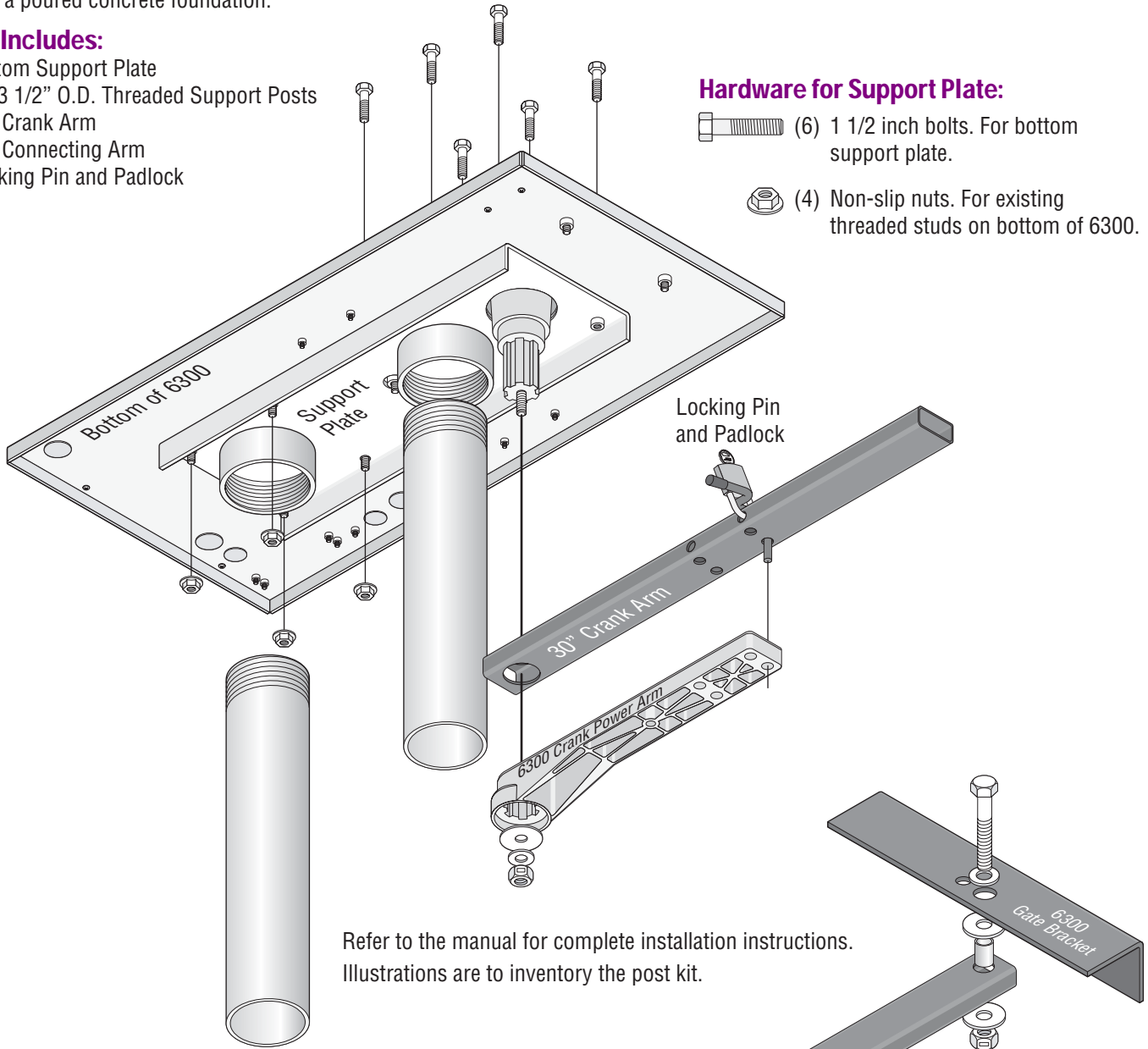
This kit is designed for the 6300 model swing gate operator only. This kit bolts to the bottom of the operator and mounts directly into a poured concrete foundation.

## Kit Includes:

- Bottom Support Plate
- (2) 3 1/2" O.D. Threaded Support Posts
- 30" Crank Arm
- 60" Connecting Arm
- Locking Pin and Padlock

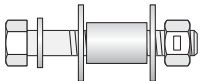
## Hardware for Support Plate:

-  (6) 1 1/2 inch bolts. For bottom support plate.
-  (4) Non-slip nuts. For existing threaded studs on bottom of 6300.



Refer to the manual for complete installation instructions.  
Illustrations are to inventory the post kit.

## Hardware for Connecting Arm:



2 1/4 inch bolt, 3 washers, brass bushing and locknut.

