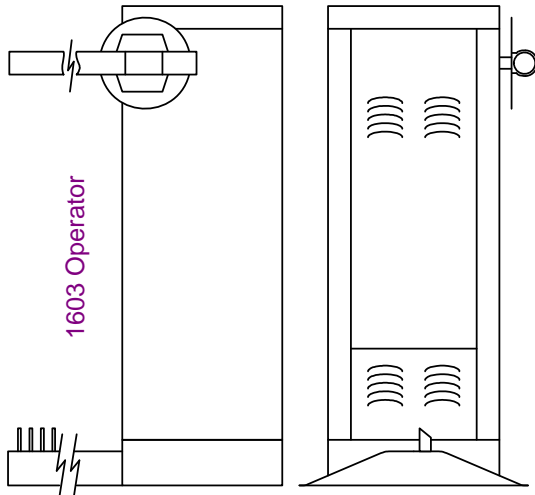


MODEL 1603 Barrier Gate / Auto-Spike Operator

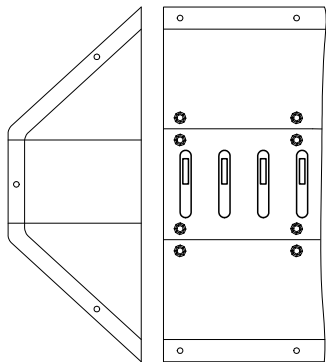
Maximum arm length 14-feet

The Model 1603 is designed to mechanically link traffic control auto-spikes to the operator arm. The 1/2 HP unit can be used for traffic lanes up to 12-feet wide and uses a 14-foot round aluminum arm or a 14-foot 1 x 4 kiln dried wood arm.



Standard Features

- ½ HP continuous duty motor.
- Arm rotates 90° in approximately 1.5 sec.
- Maintenance free magnetic limits
- Plug-in loop detectors
- 2 convenience outlets
- Up input memory buffer
- Down memory option
- Multiple UP commands
- Built-in timer
- Auto-sequencing inputs for easy interface with slide or swing gate operators
- Gate Tracker reporting output provides operator data to access control system* (*DKS systems with card access only)
- 5-year limited warranty
- **Secondary entrapment prevention devices should be used with this barrier gate operator. Refer to Section 3, Pg 9-11 for selection of devices.**



End Cap

Surface Mount Spikes

Spike Sections

- Available in 3 and 6 foot sections
- Surface mount
- End cap required when using surface mount spikes
- Surface mount housing is painted bright yellow, spikes are painted bright red
- **Auto-spikes install on concrete roadways only**
- **Traffic signal and/or warning sign must be used with this system.**
- 1-year limited warranty

Dimensions	Shipping Weight	Regulatory	Power
1603 (1/2 HP Unit) 43.75"H x 15.25"W x 14.75"D	200-220 Lbs.	Class of Operation: III, IV	115 VAC, 60 Hz 5.4 A
			230 VAC, 60 Hz 2.7 A
			460 VAC, 60 Hz 1.4 A
Auto-Spikes Surface Mount 31"W x 3"H x 36" or 72"L	165 Lbs.	Surface mount unit Concrete roadways only	N / A

DOORKING PARKING CONTROL PRODUCTS

Rev 7/24/08

STEP 1 – Select Operator(s)		
P/N	Description	
1603-080	Barrier Operator 115 VAC / Auto-Spike	
1603-081	Barrier Operator 115 VAC / Auto-Spike w / DC convenience open	
1603-082	Barrier Operator 230 VAC / Auto-Spike	(Note 2)
1603-083	Barrier Operator 230 VAC / Auto-Spike w / DC convenience open	(Note 2)
1603-084	Barrier Operator 460 VAC / Auto-Spike	(Note 2)
1603-085	Barrier Operator 460 VAC / Auto-Spike w / DC convenience open	(Note 2)

STEP 2 – Select Arm. Add cost to above prices		
P/N	Description	
1601-216	14-foot aluminum arm	
1601-242	Aluminum Arm Hardware Kit (Arm NOT Included)	Note 1
1601-310	Aluminum arm and folding bracket assembly.	
1601-048	14-foot wood arm	
1601-240	Wood Arm Hardware Kit (Arm NOT included)	Note 1
1601-084	Wood arm and folding bracket assembly	

STEP 3 – Select Spike Components. Add cost to above prices		
P/N	Description	
1603-192	Tunnel Section 2 Ft., Surface Mount	
1603-193	Tunnel Section 3 Ft., Surface Mount	
1603-073	Spike Section 3 Ft., Surface Mount	
1603-076	Spike Section 6 Ft., Surface Mount	
1603-118	Surface Mount End Cap	
1603-069	Spike Connector Assembly	(Note 3)

Accessories		
P/N	Description	
9409-010	DoorKing plug-in 2-channel detector. Use with DKS operators only.	
9410-010	DoorKing plug-in single channel detector. Use with DKS operators only.	
1601-260	Foam padding kit for aluminum or wood arm	
1601-092	Heater Kit	
1601-093	Fan Kit	

Notes:

- (1) Arm hardware kits include the arm mounting hub, the appropriate arm mounting bracket and necessary hardware.
 (2) These operators use a step-down transformer to achieve 115 VAC operating voltage.
 (3) Connector assembly is required when connecting spike units together.